

# Automatic Bag Placing Vacuum Sealing Machine

- ✓ Bag-placing, vacuum and sealing function in one
- ✓ Used in conjunction with a weigher for a fully automatic packing line

**Bag style:** Flat pillow bag/ M-fold bag

**Bag material:** Aluminum-Plastic composite Bag/ PE bag  
Kraft paper bag/ Woven bag with inner PE bag



## Work flow



Weighing



Automatic bagging



Bag placing



Bag tipping over and output

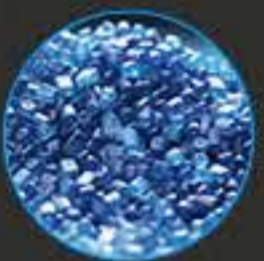


Vacuum and sealing



Filling

## Application



Engineering plastics



Walnut kernels



Pistachios



Mung beans



Rice



Raisins



Peanuts

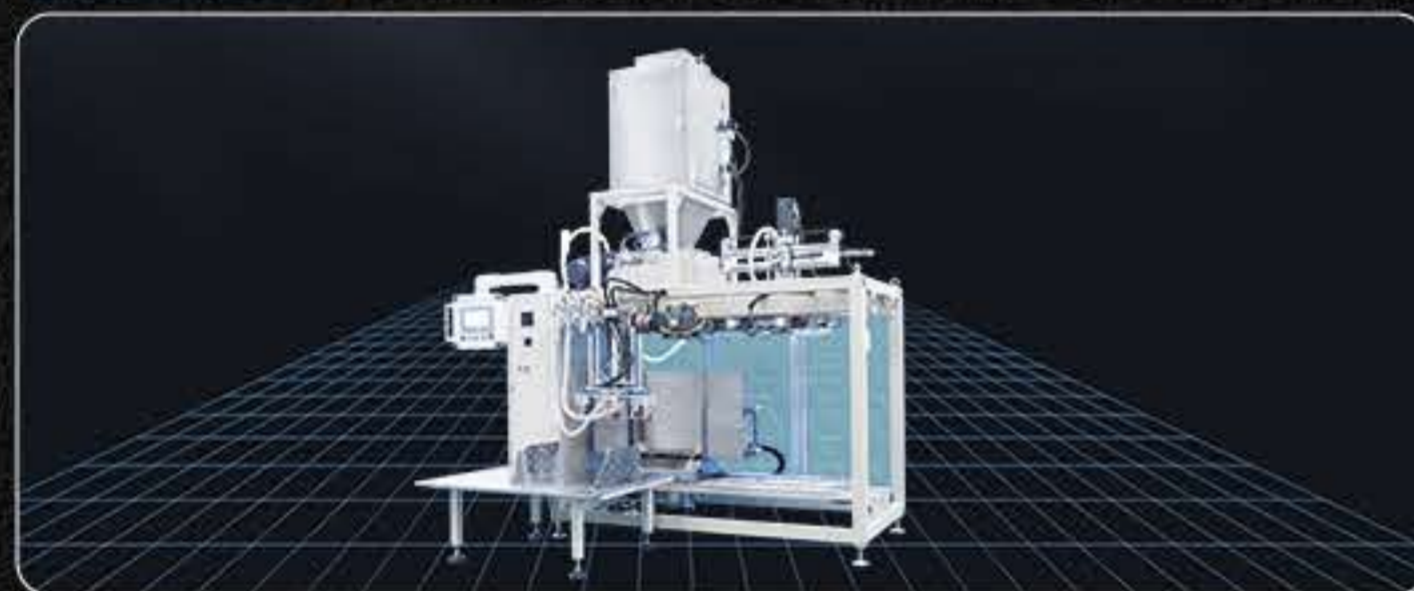


Herbal medicine



Buttons

## Features



Connect to a packing line and labor-saving



Touch screen with editable programs

Real-time monitoring, simple operation

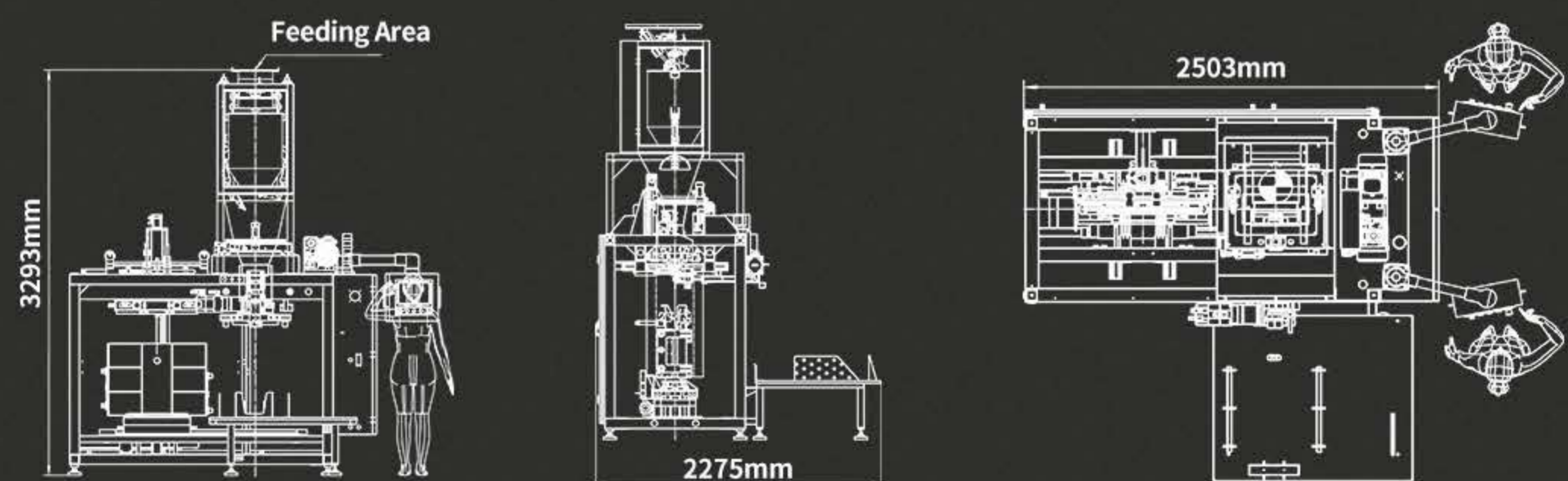


Bag shaping mould is option



High capacity

## Dimensions



## Parameters

Voltage	380V/50Hz(3PH)	Total power	3.5Kw	Capacity	≤120 bags/hour
Suitable products	Granule or Tablet with 15-30kg	Air pressure	0.6 MPa	Vacuum pumping rate	22.5 m <sup>3</sup> /h
Suitable bag size	(800-900mm)L × (500-560)W	Sealing style	Direct sealing	Sealing width	8-15mm
Bag material	Aluminium foil bag/ PE bag/ PP bag				

## Contact us

**Halco Packaging ApS**  
 Viborgvej 97A, DK-7400 Herning  
 Tlf. +45 75102744 - E-mail: salg@halco.dk